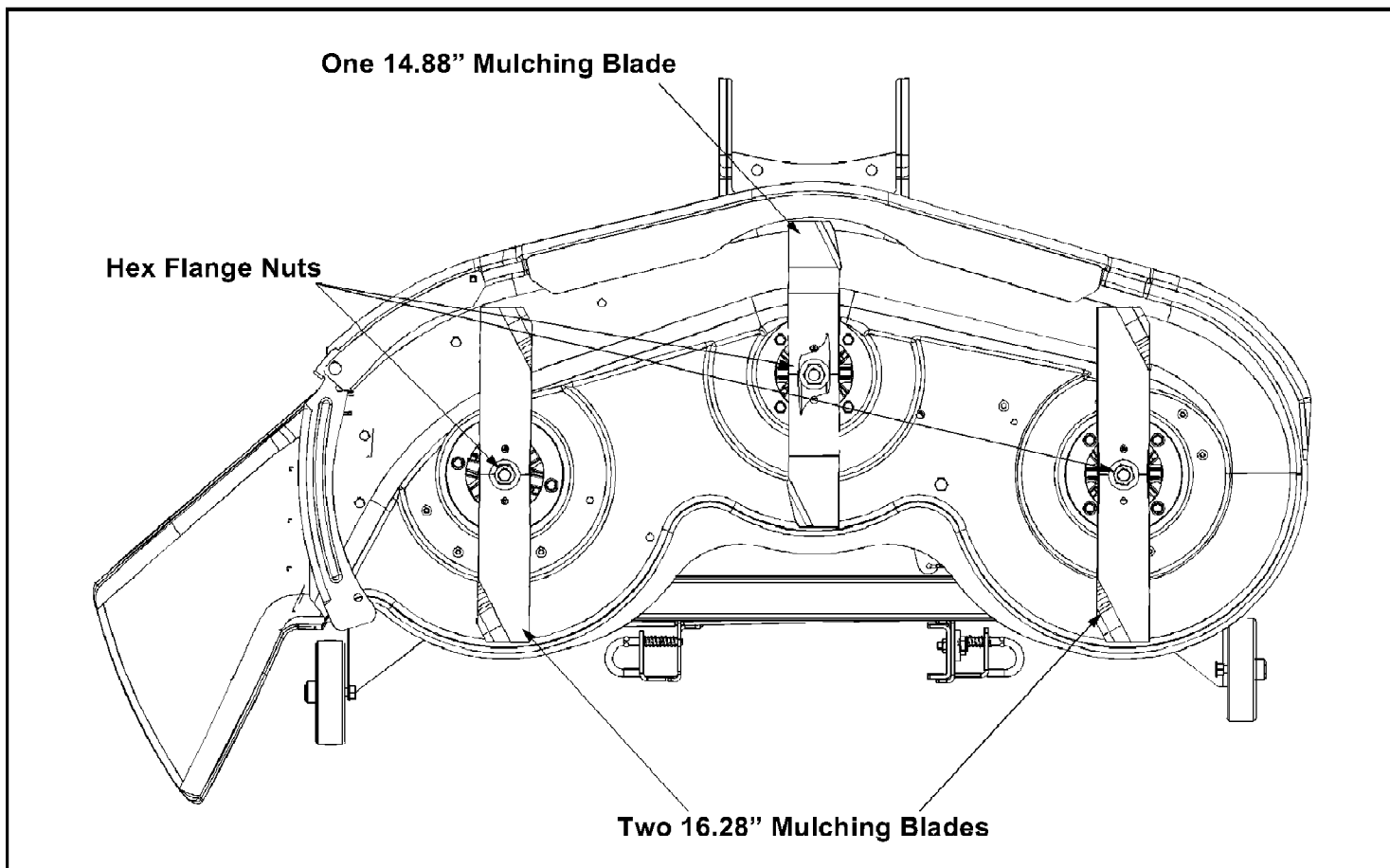


Before beginning installation, remove all parts from the carton to make sure everything is present. Carton contents are listed below. Part numbers are shown in parentheses.



190-118-000 Mulch Kit (2005)
General Assembly 118

Page 2 of 2

Ref #	Part Number	Qty	S/P/F	Description
	731-1636	1		One Mulch Plug
	742-0611	1	S	Two 16.28" Mulching Blades
	742-0612	1	S	One 14.88" Mulching Blade
	710-0578	1	/P	One Machine Screw, 1/4"
	712-3087	1	/P	One Plastic Wing Nut, 1/4"
	712-3006	1	/P	One Hex Nut, 1/4"
	736-0173	1	/P	One Flat Washer